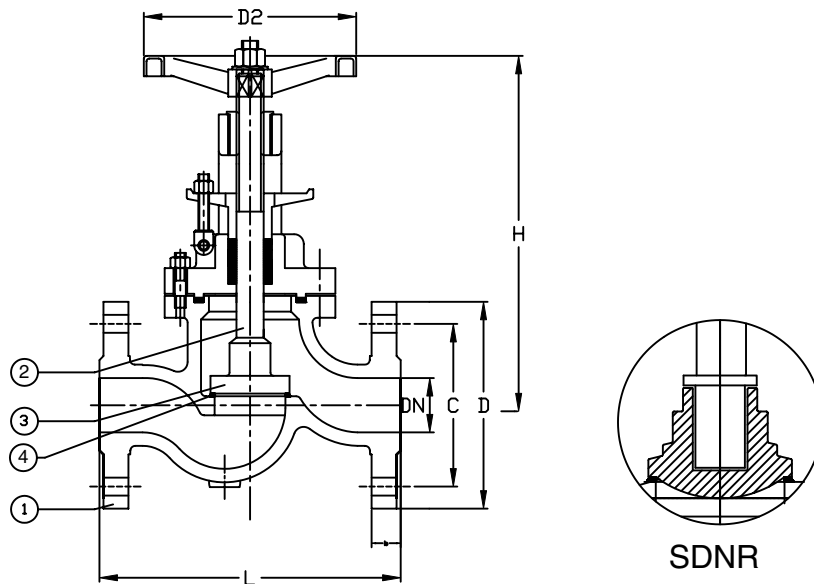


# PN 100 Cast Steel Globe Valve Stainless Steel Trim

Series 2017 ... Regular  
Series 2117 ... SDNR



Face to Face according to ISO5752-F1  
Flanges according to DIN2501-PN100

Part Nr.	Material	Code	Size	Nom. Pressure	Hydraulic Inspection	
			DN	PN	Body	Seat
1 - Body	Cast Steel	GSC-25N	15 to 150	100	150	100
2 - Stem	Stainless Steel	AISI 410				
3 - Disc	Stellited	HF				
4 - Seat	Stellited	HF				

Size	L	D	C	No.	h	t	H	D2	Kg
15	210	105	75	4	14	20	250	150	9
20	230	130	90	4	18	24	310	150	12.5
25	230	140	100	4	18	24	310	150	13
32	260	155	110	4	22	28	330	200	22.5
40	260	170	125	4	22	28	350	200	23
50	300	195	145	4	26	30	400	200	29
65	340	220	170	8	26	34	480	225	55
80	380	230	180	8	26	36	510	250	73
100	430	265	210	8	30	40	580	300	106
125	500	315	250	8	33	44	600	420	168
150	550	355	290	12	33	50	630	500	246