

SERIES F7320 - JIS 10K

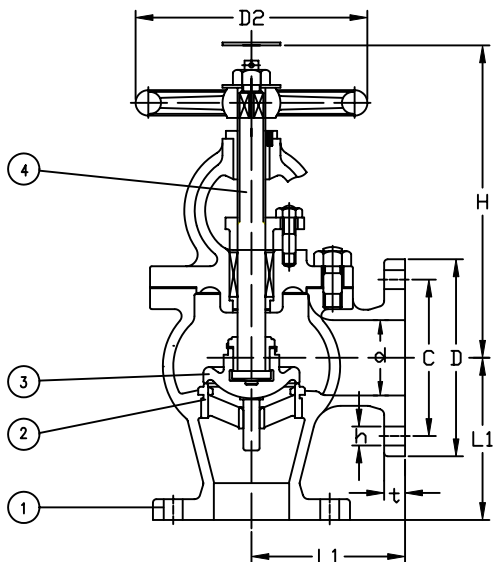
Cast Steel Angle Valve

SERIES F7472 - JIS 10K

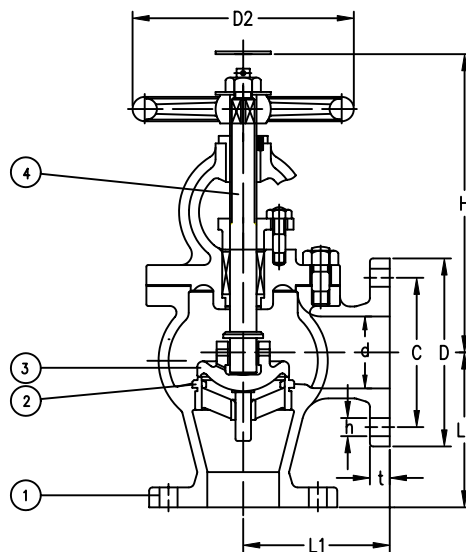
Cast Steel Angle Valve (SDNR)

Manufactured in accordance to JIS F7400

Flanges as per JIS B2220 - 10K



Series F7320



Series F7472

Part Nr.	Material	Code
1 - Body	Cast Steel	SC49
2 - Seat	Stainless Steel	SCS2
3 - Disc	Stainless Steel	SCS2
4 - Stem	Stainless Steel	SUS403

	Test pressure MPa [kgf/cm ²]
Body	2.06 [21.0]
Seat	1.51 [15.4]

Size	L	D	C	No.	h	t	H	D2	Kg
050	120	155	120	4	19	16	240	160	16.3
065	130	175	140	4	19	18	260	200	23
080	140	185	150	8	19	18	265	200	25.3
100	160	210	175	8	19	18	300	250	37
125	180	250	210	8	23	20	350	280	57.1
150	205	280	240	8	23	22	400	315	77.2
200	230	330	290	12	23	22	480	355	116
250	290	400	355	12	25	24	535	400	188
300	320	445	400	16	25	24	610	450	256