

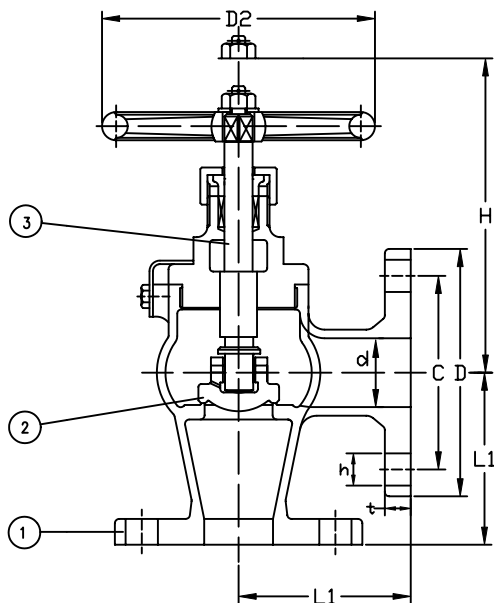
SERIES F7352 - JIS 5K

SERIES F7410 - JIS 16K

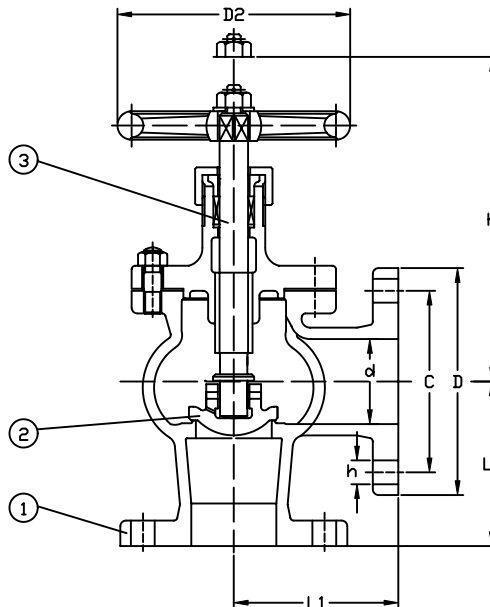
Bronze Angle Valve (SDNR)

Manufactured in accordance to JIS F7400

Flanges as per JIS B2220 - 5K or 16K



Screwed Bonnet
for sizes 15A-40A



Bolted Bonnet
for sizes 50A-65A

Part Nr.	Material	Code
1 - Body	Bronze	BC6
2 - Disc	Bronze	BC6
3 - Stem	Brass	C3771BD

Nominal Pressure		5K	16K
Hydraulic	Body	12kg	38kg
Inspection	Seat	8kg	23kg

Type	Size	L	D	C	No.	h	t	H	D2
F7352 5K	15	55	80	60	4	12	9	120	80
	20	60	85	65	4	12	10	130	100
	25	65	95	75	4	12	10	145	125
	32	80	115	90	4	15	12	150	125
	40	85	120	95	4	15	12	165	140
	50	100	130	105	4	15	14	200	140
F7410 16K	15	70	95	70	4	15	12	120	80
	20	75	100	75	4	15	14	130	100
	25	85	125	90	4	19	14	145	125
	32	95	135	100	4	19	16	150	125
	40	100	140	105	4	19	16	165	140