

**SERIES F7415 - JIS 5K**  
**Bronze Globe Lift Check Valve**

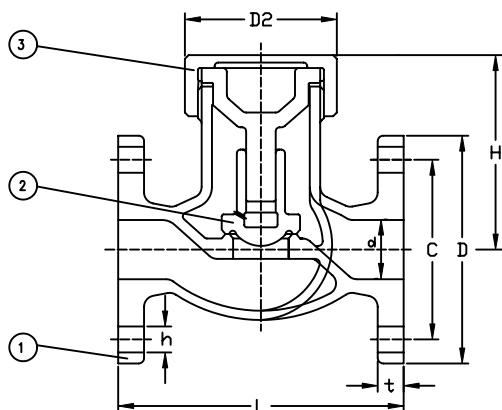
**SERIES F7416 - JIS 5K**  
**Bronze Angle Lift Check Valve**

**SERIES F7417 - JIS 16K**  
**Bronze Globe Lift Check Valve**

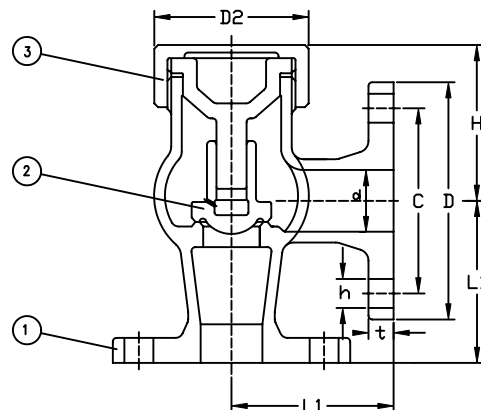
**SERIES F7418 - JIS 16K**  
**Bronze Angle Lift Check Valve**

Manufactured in accordance to JIS F7400

Flanges as per JIS B2220 - 5K & 16K



Series F7415 & F7417



Series F7416 & F7418

Part Nr.	Material	Code
<b>1 - Body</b>	Bronze	BC6
<b>2 - Disc</b>	Bronze	BC6
<b>3 - Bonnet</b>	Bronze	BC6

Nominal Pressure		5K	16K
Hydraulic	Body	12kg	38kg
	Seat	8kg	23kg

**DIMENSION TABLE FOR JIS F7415 AND F7416**

Size	L	L1	D	C	No.	h	t	H	H1	D2
15	100	55	80	60	4	12	9	66	56	55
20	110	60	85	65	4	12	10	71	59	55
25	120	65	95	75	4	12	10	81	67	60
32	140	80	115	90	4	15	12	83	65	70
40	160	85	120	95	4	15	12	91	69	80

**DIMENSION TABLE FOR JIS F7417 AND F7418**

Size	L	L1	D	C	No.	h	t	H	H1	D2
15	110	70	95	70	4	15	12	66	56	55
20	120	75	100	75	4	15	14	71	59	55
25	130	85	125	90	4	19	14	81	67	60
32	160	95	135	100	4	19	16	83	65	70
40	180	100	140	105	4	19	16	91	69	80